

Overview:

The Digital Audio Converter allows one (1) source of digital audio signal: coax (S/PDIF) or optic (TOSLINK) to be converted to an optic or a coax signal respectively. It supports most standards used to transmit two channels of uncompressed lossless PCM audio or compressed 5.1/7.1 surround sound such as Dolby Digital Plus or DTS-HD High Resolution Audio (multichannel digital audio Dolby Digital® 5.1, DTS, and Dolby® True HD).



Applications: Conversion and Transmission of Digital Audio Signals.

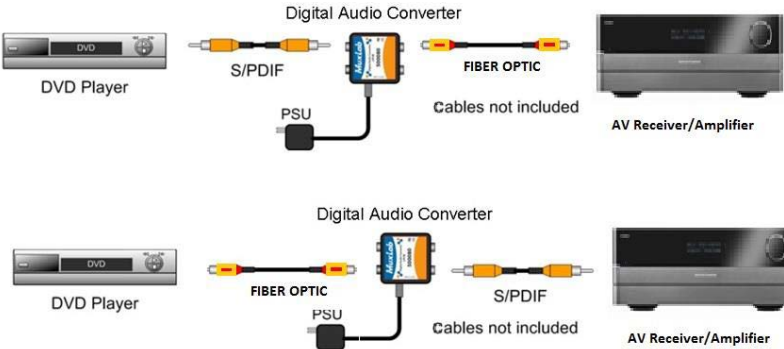
Features:

- Convert TOSLINK fiber optic digital audio signal to COAX
- Convert COAX digital audio signal to fiber optic TOSLINK

Environment	Digital Audio
Standard Supported	LPCM, Dolby Digital® 5.1, DTS, and Dolby® True HD
Input / Output signal	S/PDIF coax cable or TOSLINK optic cable
Data transmission rate	Up to 6 Mbit/s
Connectors	RCA, TOSLINK, POWER, RJ45 on each unit
Power requirement	1W max, 5V DC
S/PDIF spec	Coax 75 ohm with RCA connector, level: 500mVp-p into 75 ohm
TOSLINK spec	Plastic optic cable with EIAJ/JEITA RC-5720C connector, Wavelength: red 660nm, level: -15dBm max
Cabling Requirement (not supplied)	Coax and the second optic cable
Included in this kit	1 x Converter unit, 1 x 5V Power supply, 1 x Optic Cable 3ft (1m) and 1 x Installation guide
Compatible mounting hardware	500902, 500900, 500910, 500915
Temperature	Operating: -40° to 85°C (-40° to 185°F) Storage: -40° to 85°C (-40° to 185°F)
Humidity	Maximum 95% (non-condensing)
Enclosure	ABS UL94HB fire retardant plastic
Dimensions	2.25" x 2.25" x 1.0" (6 x 6 x 2.5 cm)
Shipping Weight	Less than 1 lb. (450g)
Warranty	2 Years
Order Information	500087 Digital Audio Converter

Digital Audio Converter 500087

Typical Application:



Product Photos:

